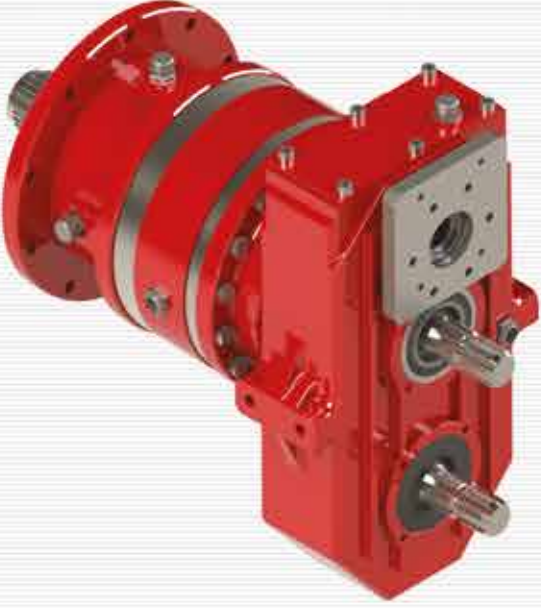
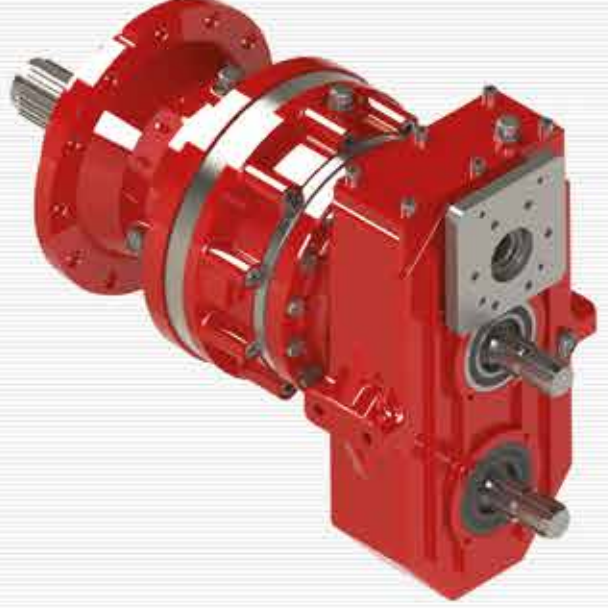


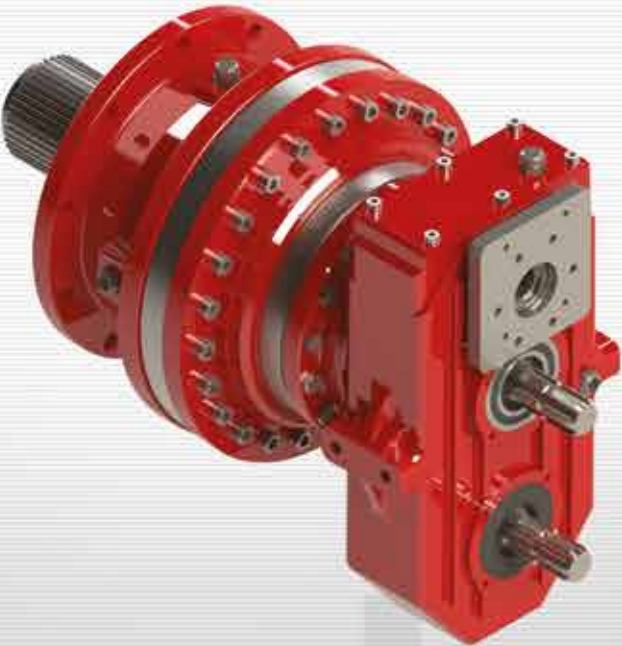
DVR 400



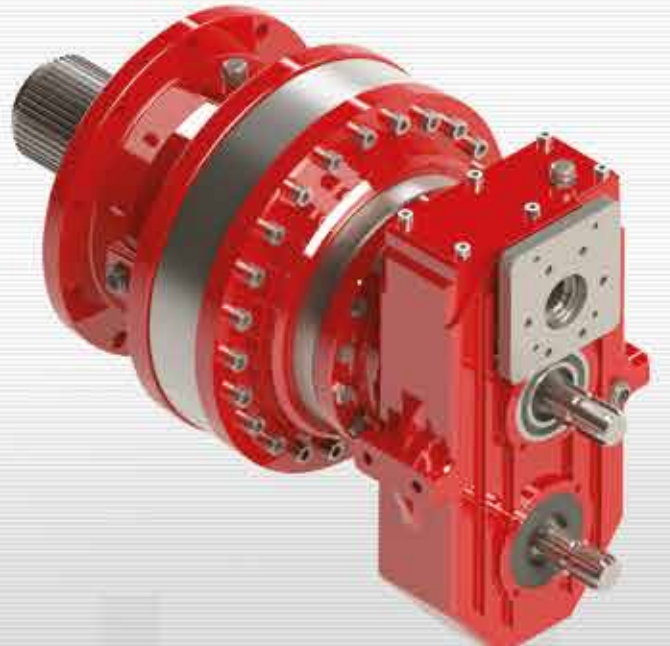
DVR 700

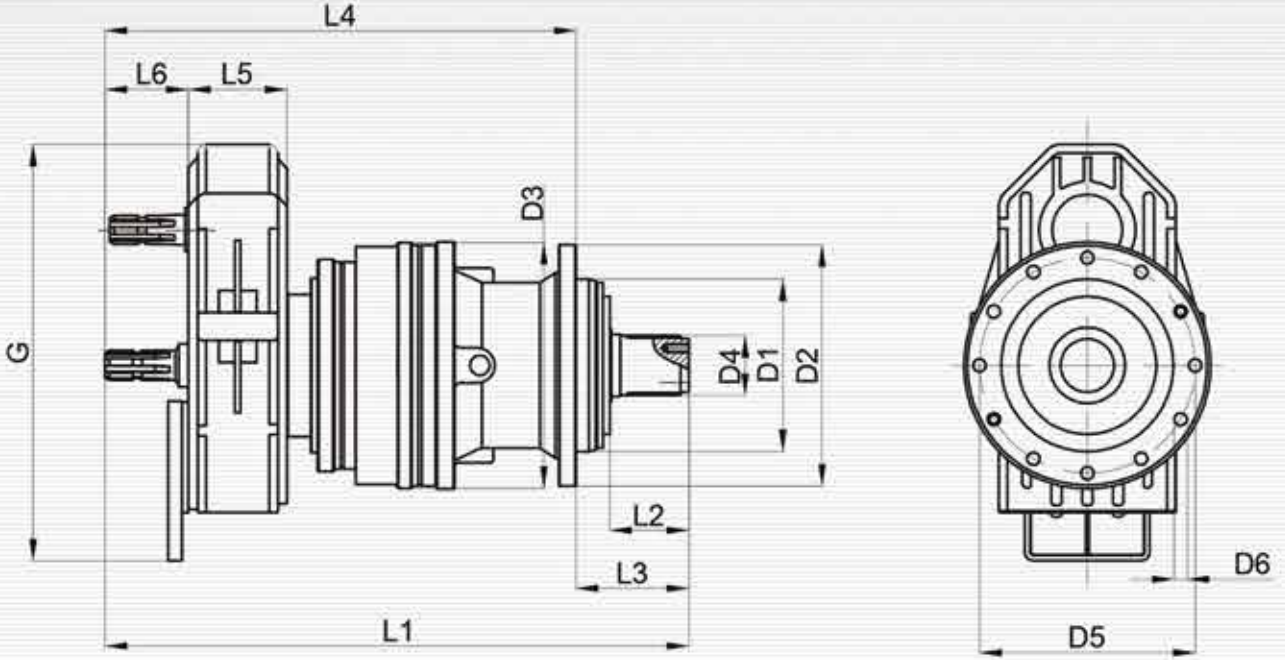


DVR 1000



DVR 1200



**Ölçüler**

Dimensions

KOD/CODE	D1	D2	D3	D5	D6	L1	L2	L3	L4	L5	L6	G
DVR 400	175	272	245	245	13	600	85	122	515	115	97	485
DVR 700	200	280	285	250	13	675	90	130	545	115	97	485
DVR 1000	230	325	360	295	17	645	90	125	520	115	97	485
DVR 1200	230	325	360	295	17	670	90	125	545	115	97	485

Özellikler

Specifications

KOD/CODE	(i) TAHVİL ORANI / BOND RATIO	KAPASİTE / CAPACITY	GÜÇ / POWER (HP)	GİRİŞ MİLİ / INPUT SHAFT	D4 ÇIKIŞ MİLİ / OUTPUT SHAFT
DVR 400	14.2	4 m ³	90	1"3/8 Z=6	58x53 DIN 5482
DVR 700	13.8	6 m ³	90	1"3/8 Z=6	70x64 DIN 5482
DVR 1000	13.4	8-10 m ³	110	1"3/8 Z=6	100x94 DIN 5482
DVR 1200	13.4	12-14 m ³	110	1"3/8 Z=6	100x94 DIN 5482